

Product information presented here reflects conditions at time of publication. Consult factory regarding discrepancies or inconsistencies.



MAIL TO: P.O. BOX 16347 • Louisville, KY 40256-0347
SHIP TO: 3649 Cane Run Road • Louisville, KY 40211-1961
TEL: (502) 778-2731 • 1 (800) 928-PUMP • FAX: (502) 774-3624

Visit our web site:
zoellerpumps.com

REPLACEMENT PARTS LIST FOR MODELS:

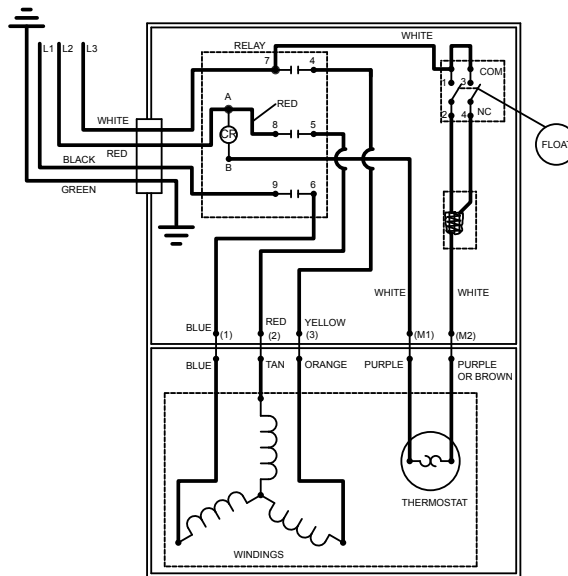
CF282 3PH AUTOMATIC 230V

Consult factory for all other models

TO ORDER REPLACEMENT PARTS:

PLEASE FURNISH THE FOLLOWING INFORMATION:

- Model Number.
- Part Number of Pump.
- Part Number and Description of part.



013071

WIRING DIAGRAM FOR MODELS
"CF282-A"
2/00 thru Current

REPLACEMENT PARTS LIST FOR MODEL: "CF282"

See next page for illustration.

MODELS:				CF282-A	CF282-B
REF NO.	DESCRIPTION	QTY	NOTES	02/00 thru 5/10	6/10 thru Current
1	• Guard	1		001023	001023
2	Handle	1		217069	217069
3	Case Switch & Cd/230V/1Ph"282"	1	2	013211	013211
4	• Arm & Seal Asm "160/180/290"	1		004745	004745
5	Case-Mach "160/180/280/290"	1	2	004614	004614
6	• Gasket, Case/Cover	1		001011	001011
7	• Wire Pkg (8) Wires	1		013212	013212
8	Float, Plastic	1		094039	094039
9	Guide Asm, Flt Rod	1		094048	094048
10	• Screw, #10-24 X .375 RHM-SISS	2		001883	001883
11	Housing, Mtr.-&Str "282" GE	1	1	013213	150991
12	Rod, Asm, Flt	1		001043	150438
13	Bearing, Sleeve	1		001012	N/A
	Bearing, Radial			N/A	006703
14	• Clamp, Strain Relief-Red	1		001770	001770
15	Cord Term and Seal Asm 230V/3PH	1	2	003761	003761
16	• Seal, Cord-Asm & Strain Relief	1	2	094032	094032
17	• Screw, #6-32 X .25 RHM SI Tc Stlgr	4		001877	001877
18	• Screw, .25-20 X .75 HHm-SS	4		001916	001916
19	Switch Asm "1670/180/290"	1		013214	013214
20	• Screw, #6-32 X .438 RhsItp "1" Stlzi	2		004644	004644
21	Relay 230/3PH	1		013069	013069
22	Bracket, relay	1		013070	013070
23	• Nut, #6-32	1		006120	006120
24	• Plug, Test-White	2		034090	034090
25	• Seal, Thru Wall Term	5		003402	003402
26	• Screw, .25-20 X 1" RHM-SI Tc Stlgr	4		007790	007790
27	Rotor & Brg	1		009495	150875
28	• Bearing, Lower Rotor	1		010069	010069
29	• Seal, Mtr Hsg	1		001014	001014
30	• Oil, Dielectric - (44 Oz Can)	1		003168	011066
31	• Screw, .313-18 X 1" HH Cap-SS	4		002608	002608
32	Adapter-Mach "280"	1		001003	001003
33	• Seal, Shaft "282", "284"	1		002430	002430
34	Impeller "282"	1		007063	007063
35	• Screw, .5-13 X 2 HH Cap-SS	2		001909	001909
36	• Washer, SS-1.25" OD X .562" ID X .078	2		002115	002115
37	Flange Pkg 2" Npt	1		10-1305	10-1305
	Flange Pkg 3" Npt			10-1306	10-1306
38	Housing, Pump-Mach	1		217012	217012
39	Washer, Stl.-.375" OD X .150" ID X .032	2		002117	002117
40	Terminal, Adapter (1 FEMx (2) Mail F.	1		014210	014210
☐	Rebuild Kit "280"	1		013215	150990

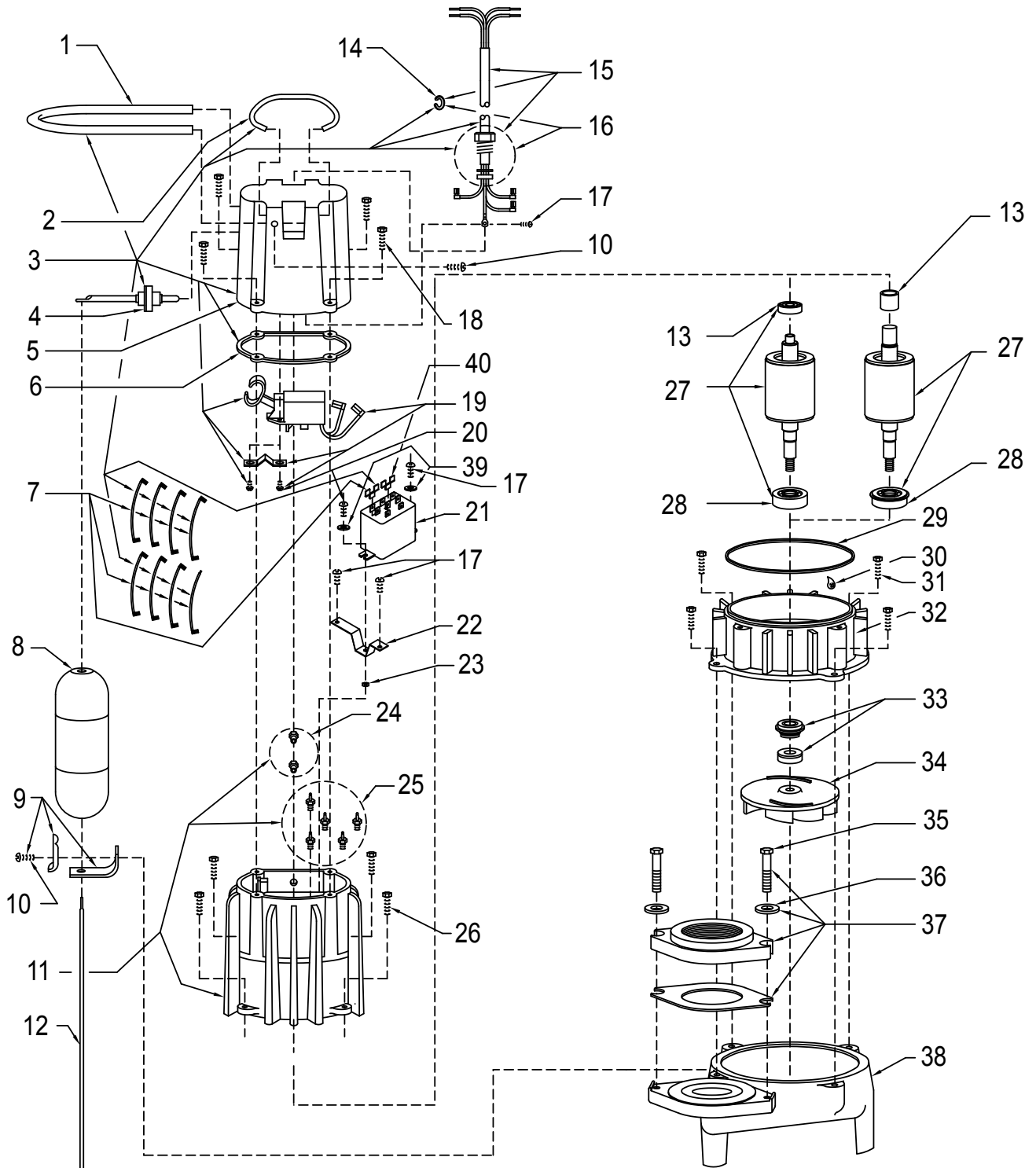
• Items included in Rebuild Kit.

☐ Not Shown in Illustration.

NOTES:

- 1) Mtr. Hsg., Brg., Stator & Term. (Item 11) are preassembled at the factory and must be replaced as a unit. Stator is permanently attached to the motor Housing. Plug (Item 24); Seal, Thru Wall Term. (Item 25) and Bearing - Upper (Item 13) are replaceable.
- 2) If an "X" follows Model No., or Date Mfg. on brass ID tag, consult factory for ordering any parts.
- 3) See FM0160 Parts Price Sheet for listing of parts prices.
- 4) "NA" indicates, not applicable.

REPLACEMENT PARTS ILLUSTRATION FOR MODEL: "CF282"



NOTES:



MAIL TO: P.O. BOX 16347 • Louisville, KY 40256-0347
SHIP TO: 3649 Cane Run Road • Louisville, KY 40211-1961
(502) 778-2731 • 1 (800) 928-PUMP • **FAX** (502) 774-3624

Visit our web site:
zoellerpumps.com

Trusted. Tested. Tough.™